

# New Airgard Model C-XL

## High Capacity, High Efficiency Wet Scrubber

### ADVANTAGES

- Lowest Cost of Ownership
- Longest PM Interval
- Fastest Maintenance
- Highest Efficiency
- Highest Uptime
- Highest Reliability

### APPLICATIONS

- EPI High Flow/Solar applications
- PV Processes
  - Silicon, CIGS
- Solar Cell Processing
- Purification Processes
- Gas Cabinet Vent
- Dedicated NH<sub>3</sub> treatment for house separation

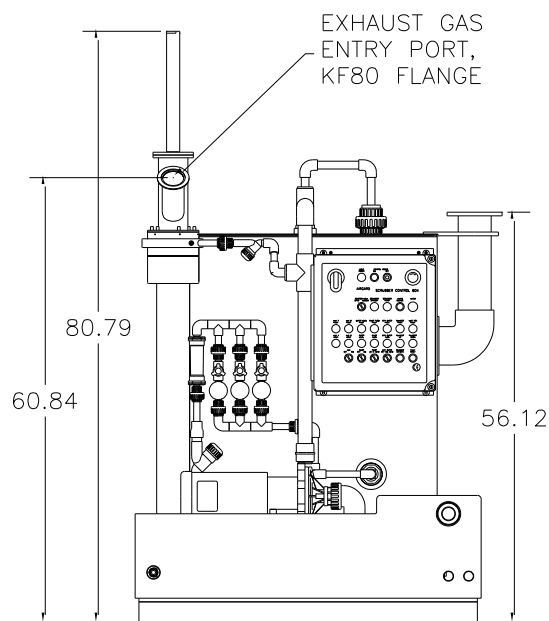
### FEATURES

- High Temp Teflon lined SS inlet
- Fully Automated PLC controls
- 5000 SLM Total Flow Capacity

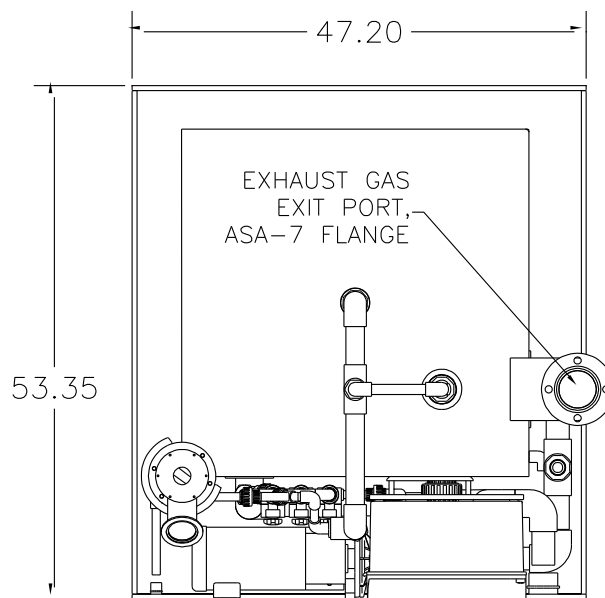
Airgard wet scrubbers have a proven track record of high efficiency, unmatched reliability, and lowest cost of ownership for over 20 years in the semiconductor industry. Our fume scrubbers increase process tool uptime by reducing abatement related downtime to virtually zero. Airgard now offers an increased capacity model POU scrubber for the high flow requirements of the solar industry. The Model C-XL combines all of the features and performance advantages of Airgard's current wet scrubbers with an increased capacity of 5000 SLM. Airgard continues to lead the industry in high efficiency and low maintenance abatement.



# Dimensions



Back View



Top View

## Technical Data

- **Capacity:** Maximum input gas flow is 5000 SLM
- **Power Usage:** 3,100 Watts
- **Nitrogen Usage:** 20 SLM
- **Water Usage:**
  - **Scrub Mode:** 2 to 40 l/min
  - **Standby Mode:** 4 l/min

## Facilities Requirements

- **Electrical:**
  - 208-240/460 VAC, 3-phase (Std)
  - 50/60 Hz, and voltages from 208-600 VAC are available
- **Overall Dimensions:**
  - Footprint: 47.2" X 53.3" (120 X 135 cm)
  - Height: 80.8" (205 cm)
  - Weight: 720 lb (327 kg) dry, 1265 lb (575 kg) wet
- **Plumbing:**
  - Gas Inlet: KF80 SS Flange
  - Gas Outlet: ASA-7 Flange
  - Water In: 1" FPT
  - Effluent Drain: 2" FPT
  - Tray Drain: ½" FPT
  - Scrubber Drain: ½" FPT
  - N<sub>2</sub> Input: ¼" Tube

Contact us for more information on your application:

**Airgard Inc.**  
2190 Paragon Drive San Jose, CA 95131  
408-573-0701 [www.airgard.net](http://www.airgard.net)

